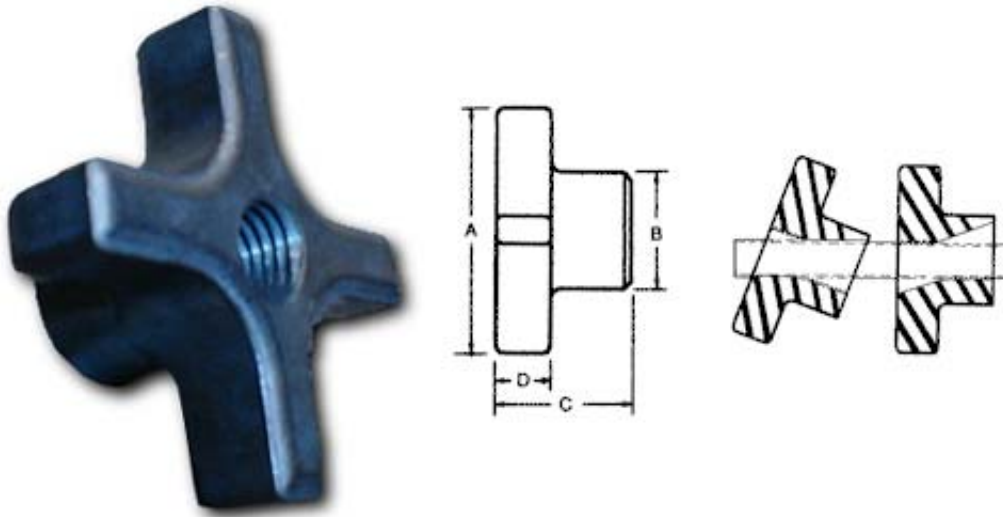


Cast Iron Quick-Release Knobs

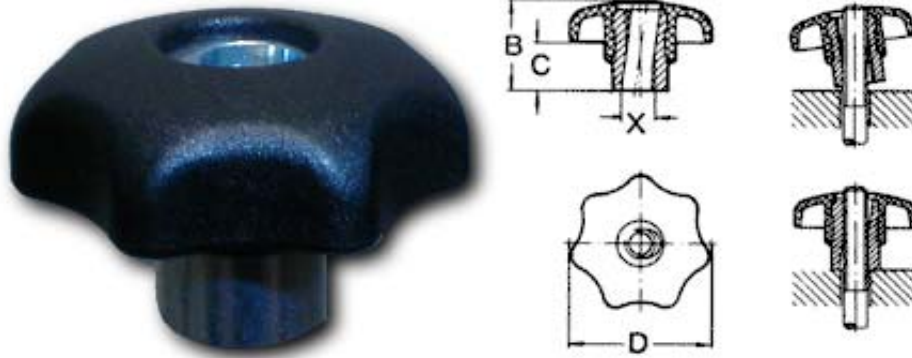


- Easy to use! Slide knob along length of stud and tilt the handle to engage the threads.
- Cast iron knob – Order in black oxide finish or Stainless Steel particle coated with clear coat.
- Four prong design.
- Order in bulk and save: 10-99 =10%, 100-249 =15%, 250-999 =20%, 1000+ =25%

Standard						
Part #	Thread Size	A	B	C	D	Price each
QK-10	1/4-20	1-1/8	9/16	5/8	5/16	\$5.75
QK-11	5/16-18	1-1/2	11/16	7/8	3/8	\$6.75
QK-12	3/8-16	2"	13/16	1"	1/2	\$7.50
QK-13	1/2-13	2-1/2	1"	1-1/8	9/16	\$10.00
QK-14	5/8-11	3"	1-1/4	1-1/4	5/8	\$12.50
QK-15	3/4-10	3"	1-1/4	1-1/4	5/8	\$15.00

Metric						
Part #	Thread Size	A	B	C	D	Price each
QK-20	M6	30mm	14mm	16mm	8mm	\$6.50
QK-21	M8	38	17	22	10	\$7.50
QK-22	M10	50	21	25	13	\$8.50
QK-23	M12	64	25	30	14	\$11.00
QK-24	M16	76	32	32	16	\$13.00

Metric Thermoplastic Quick-Release Knobs



- Black thermoplastic knob.
- Steel bushing with zinc-plated finish.
- Easy to use! Slide knob along length of stud and tilt the handle to engage the threads.
- A great time saver!
- Order in bulk and save: 10-99 =10%, 100-249 =15%, 250-999 =20%, 1000+ =25%

Metric					
Part #	Thread Size	A	B	C	Price each
254008	M8	40mm	26mm	13mm	\$13.00
255010	M10	50	24	17	\$16.00
256312	M12	63	42	21	\$21.00



Innovative Design Solutions

6602 Upper 28th St. N.

Oakdale, MN 55128

651-770-9358

www.innovative-design-solutions.com

To order: **651-353-6891**

Email: inquiry@innovative-design-solutions.com